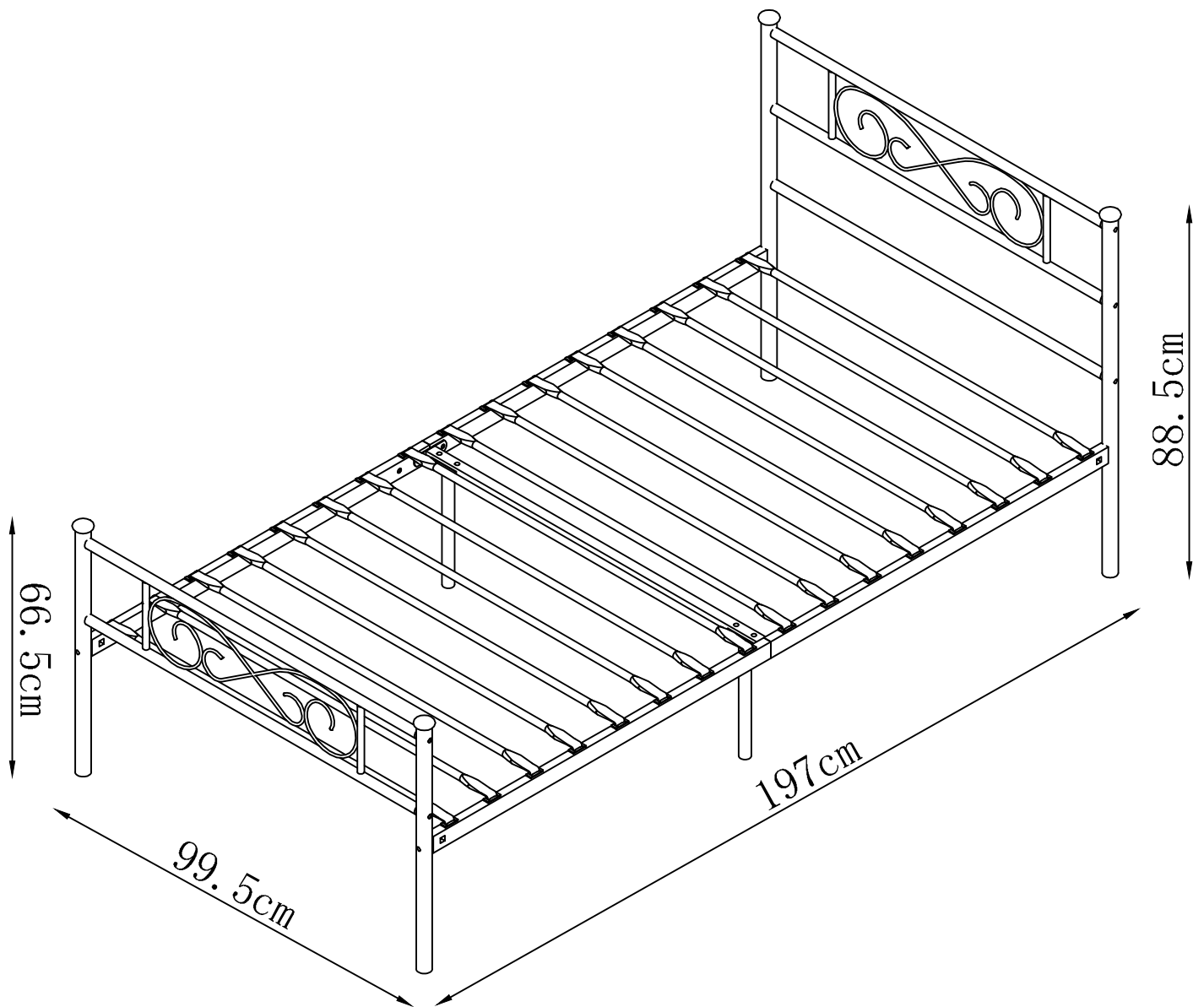









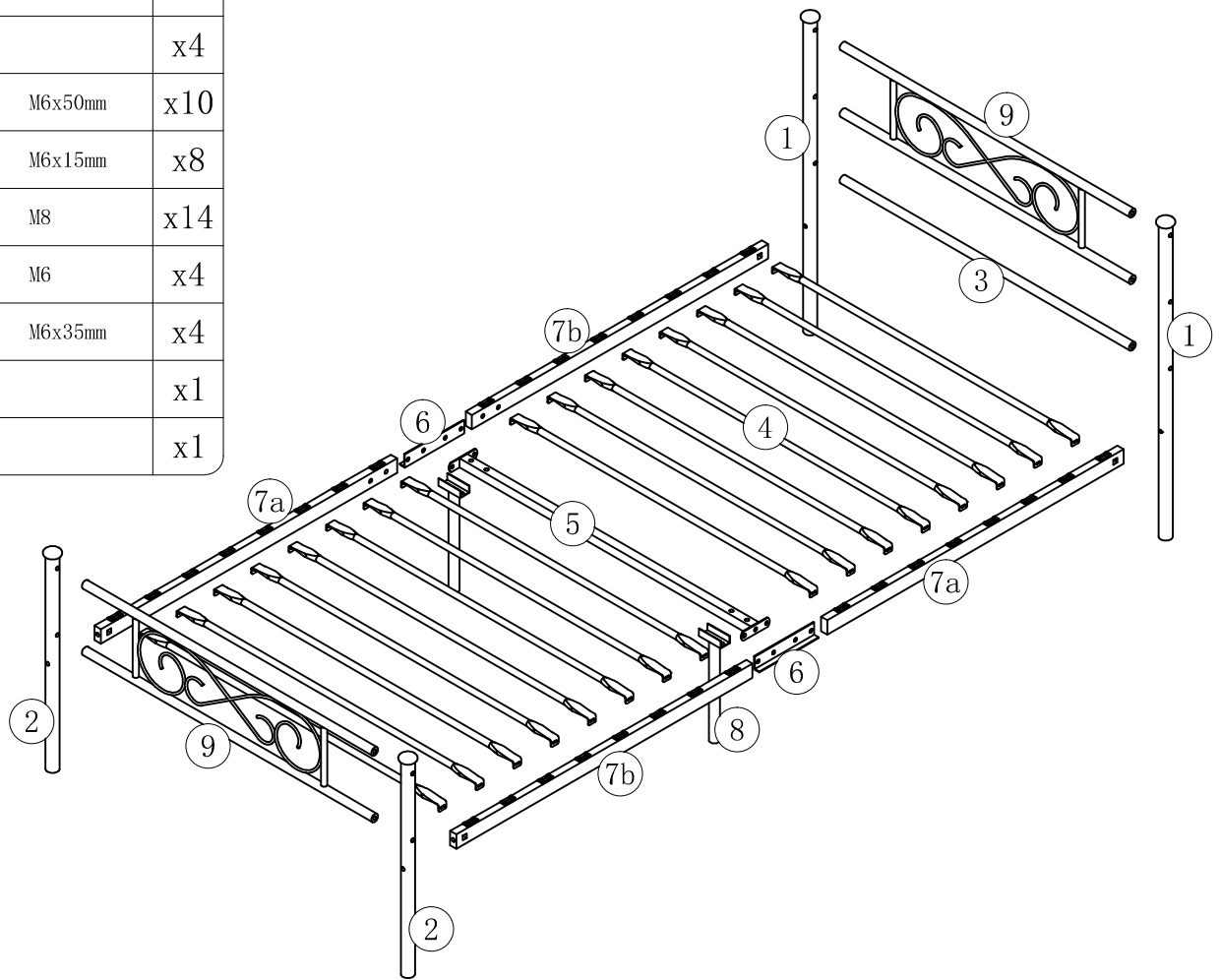


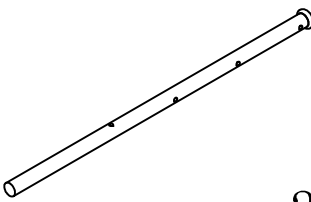
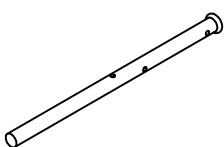
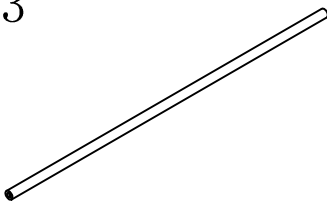
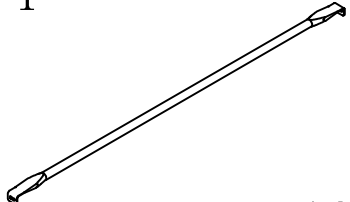
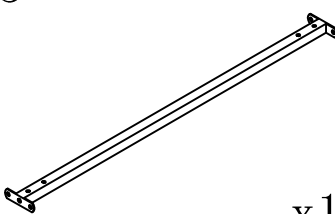
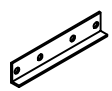
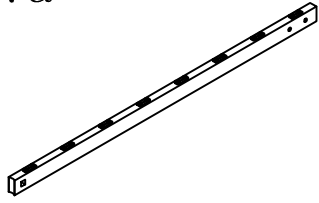
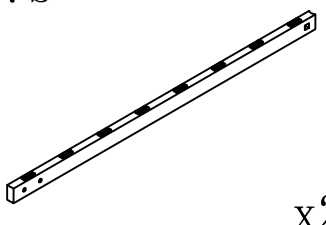
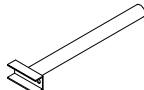
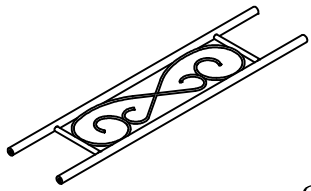
KingSo[®]



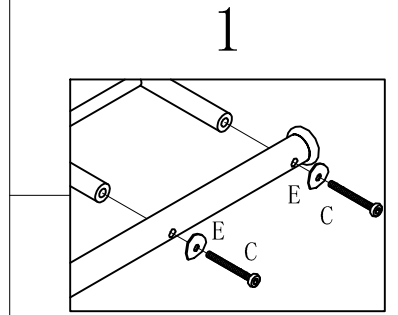
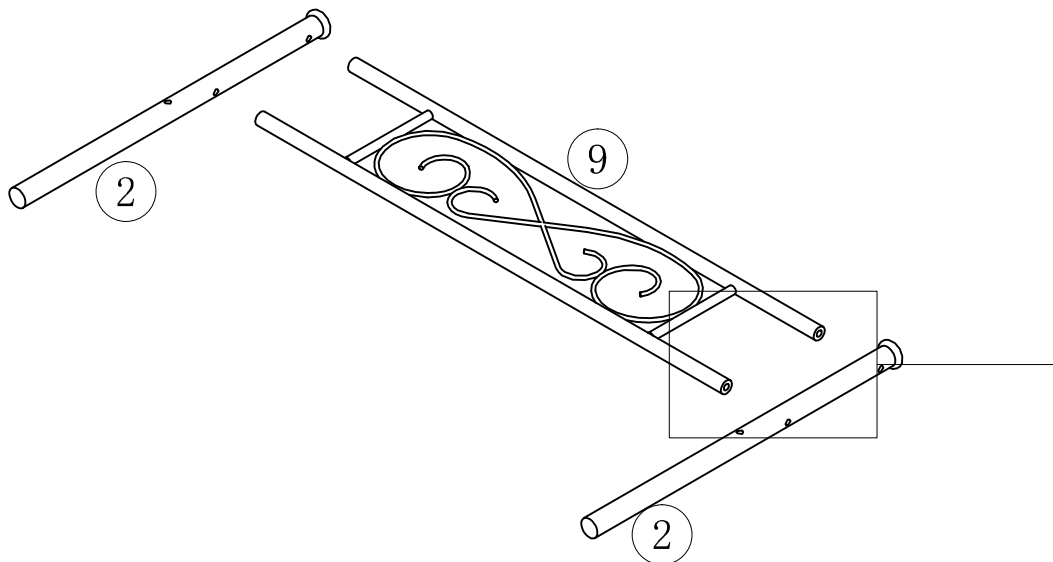
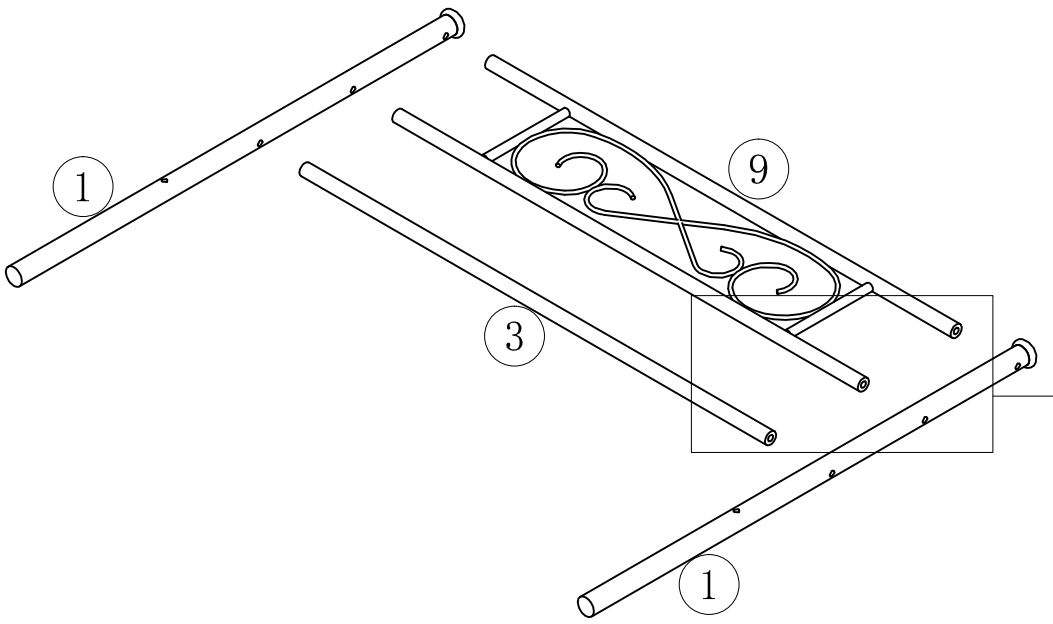
Note: Before completing the installation,
do not tighten the screws.



A		M8x65mm	x4
B			x4
C		M6x50mm	x10
D		M6x15mm	x8
E		M8	x14
F		M6	x4
G		M6x35mm	x4
H			x1
I			x1



1  x2	2  x2	3  x1	4  x16
5  x1	6  x2	7a  x2	7b  x2
8  x2	9  x2		

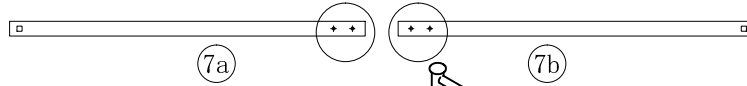
STEP 1



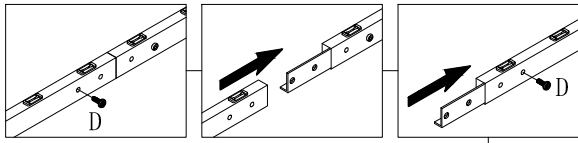
C		x10
E		x10

STEP 2

Please separate the parts 7a and 7b before beginning the assembly.

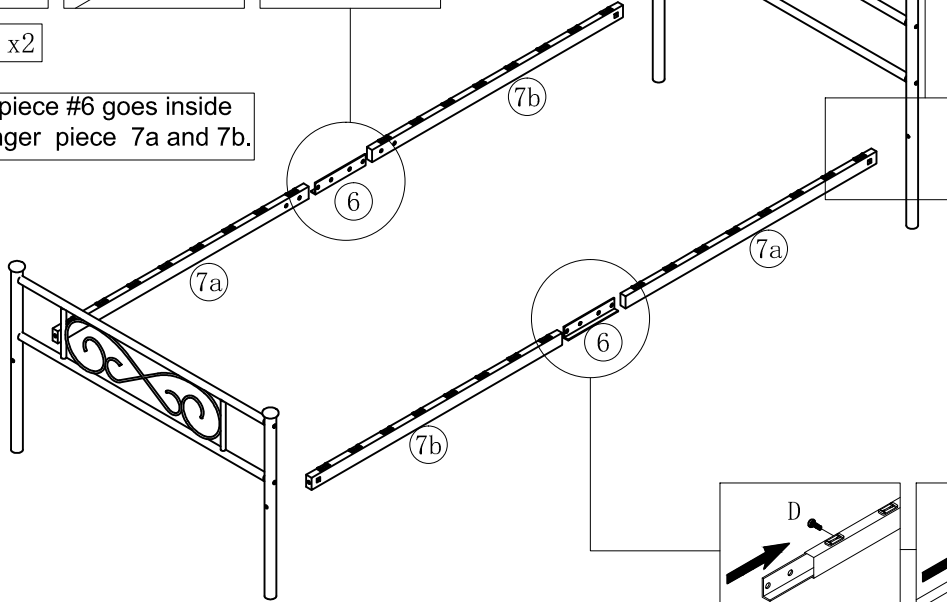


1

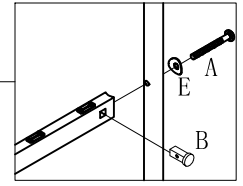


D x2

The small piece #6 goes inside the two longer piece 7a and 7b.

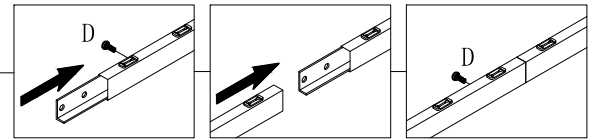


3



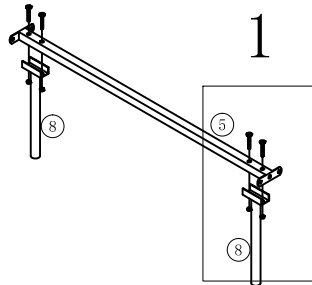
A		x4
B		x4
E		x4

2

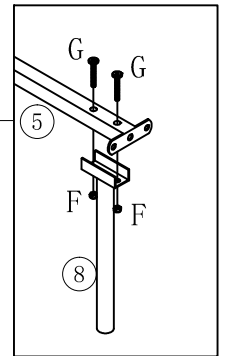


D x2

STEP 3

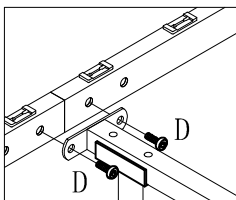


1

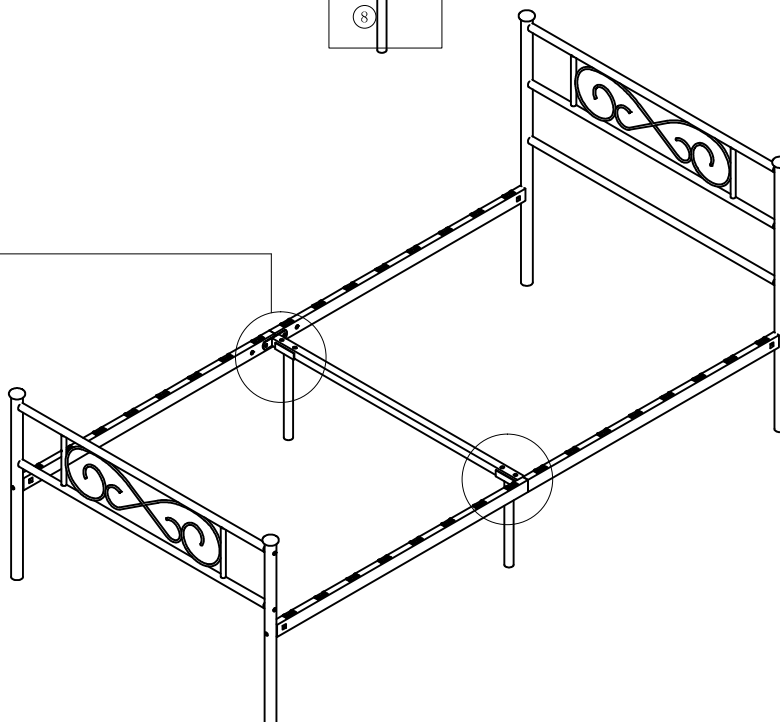


G		x4
F		x4

2



D x4



STEP 4

