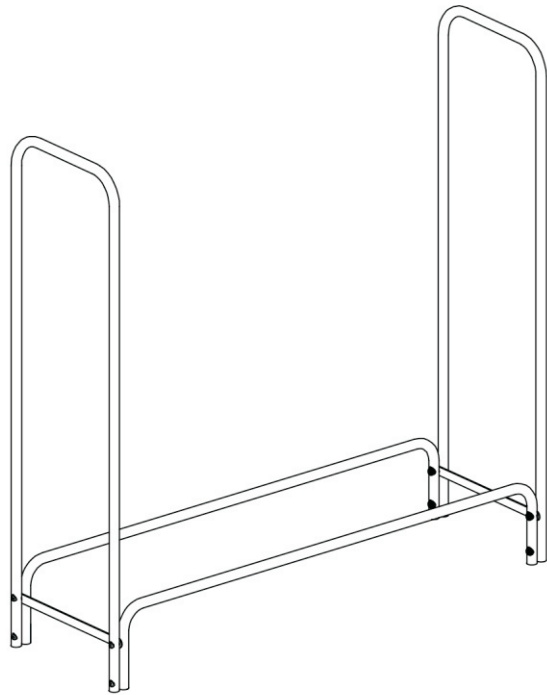
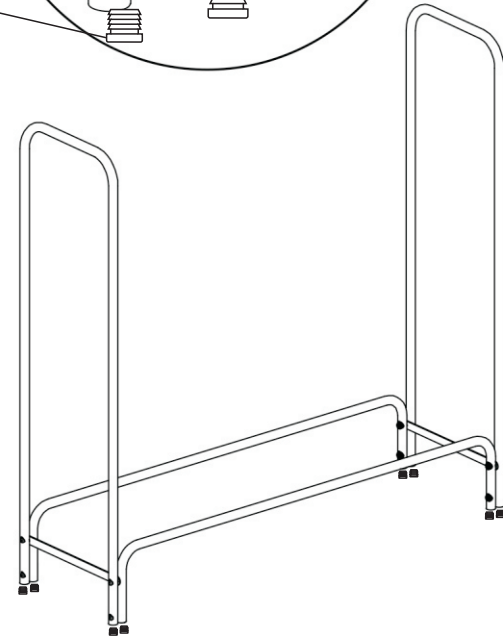
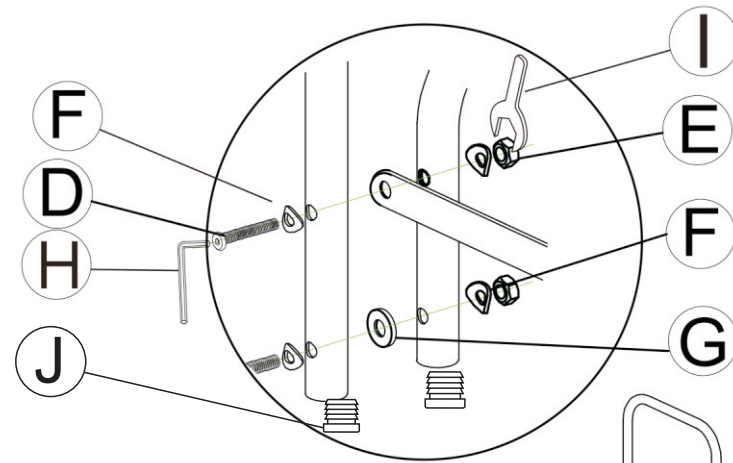


FIRE WOOD RACK INSTRUCTIONS



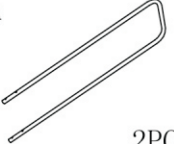









Step 2



NOTE:

Do not tighten screws completely until assembling is completed

PARTS LIST

| | | | |
|---|---|---|---|
| <p>A</p>  <p>2PCS</p> | <p>B</p>  <p>2 PCS</p> | <p>C</p>  <p>2 PCS</p> | <p>D</p>  <p>8 PCS</p> |
| <p>E</p>  <p>8 PCS</p> | <p>F</p>  <p>16PCS</p> | <p>G</p>  <p>4PCS</p> | <p>H</p>  <p>1PC</p> |
| <p>I</p>  <p>1PC</p> | <p>J</p>  <p>8PCS</p> | | |

PLEASE CHECK THAT YOU HAVE ALL THE PARTS LISTED BEFORE YOU START ASSEMBLING,IF YOU DO FIND THAT SOMETHING IS MISSING,DO NOT CONTINUE ASSEMBLY. PLEASE CONTACT YOUR SUPPLIER IMMEDIATELY.

Step 1.

