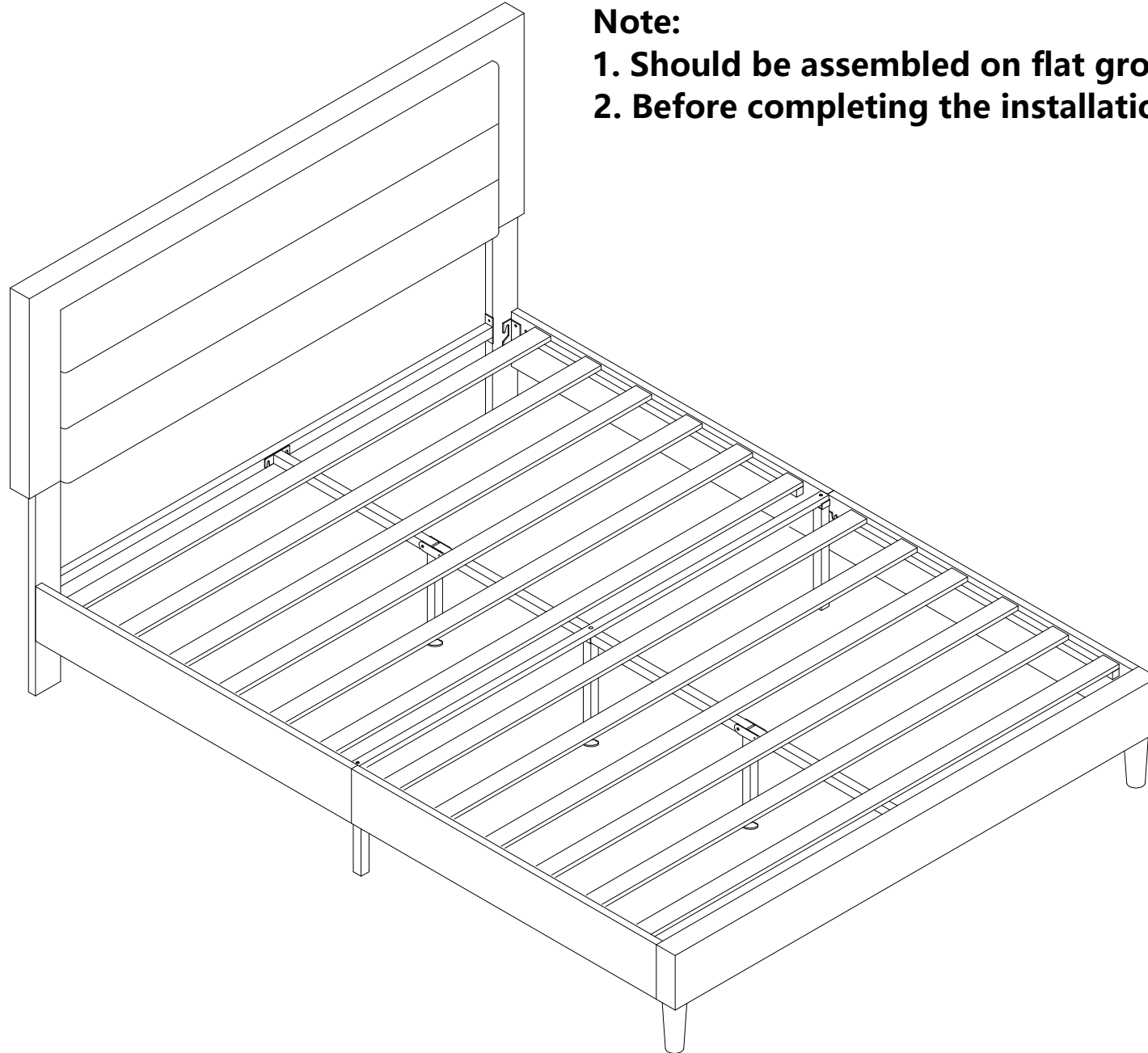
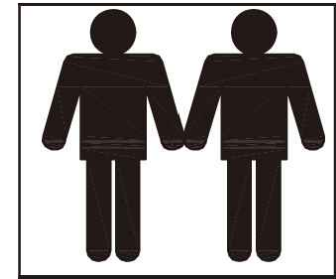


Assembly Instruction



Note:

- 1. Should be assembled on flat ground to keep balance.**
- 2. Before completing the installation, do not tighten the screws.**

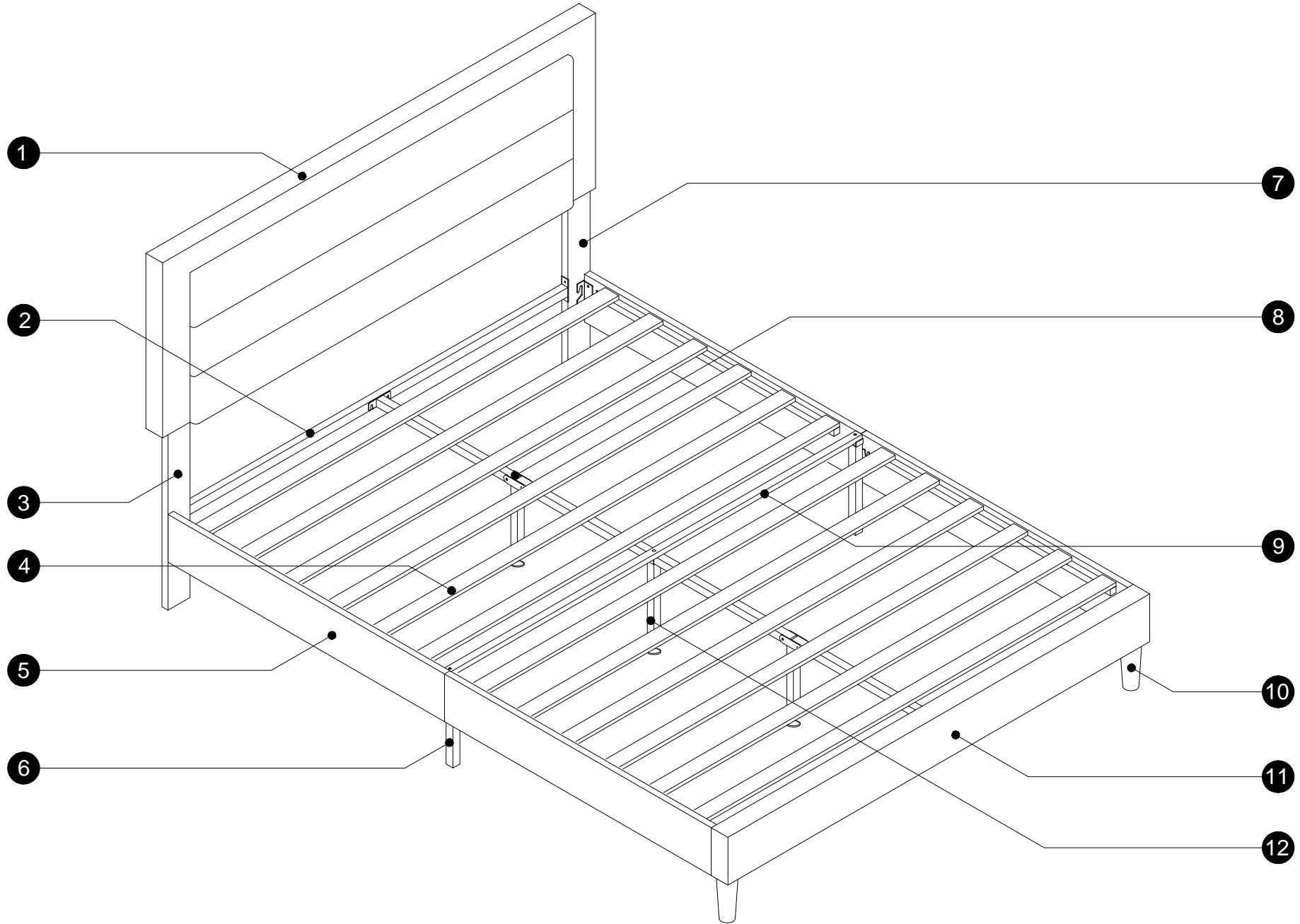


It needs at least two people to install.



Before starting the assembly, you must read the whole manual and follow the instructions

Assembly Instruction



Assembly Instruction

Hardware arts



M6*15

A 4PCS



M8*15

B 16PCS



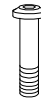
M8*20

C 12PCS



M8*35

D 4PCS



M8*45

E 5PCS



M8* Ø22mm

F 4PCS



M6

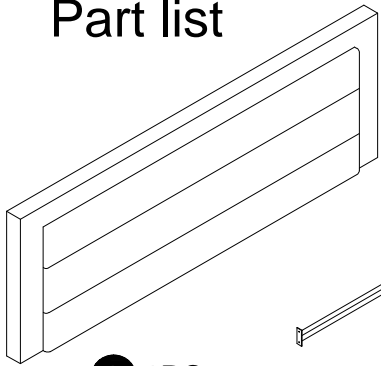
G 1PC



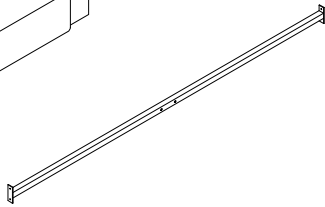
M8

H 1PC

Part list



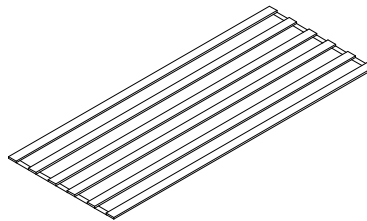
1 1PC



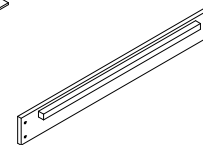
2 1PC



3 1PC



4 2PCS



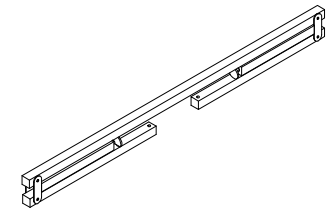
5 4PCS



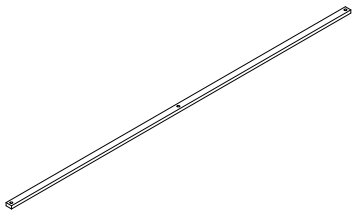
6 2PCS



7 1PC



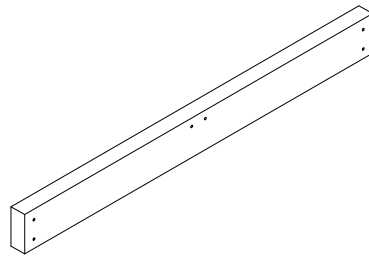
8 1PC



9 1PC



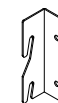
10 2PCS



11 1PC



12 1PC



13 2PCS



14 2PCS



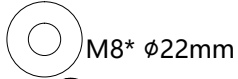
15 2PCS

Assembly Instruction

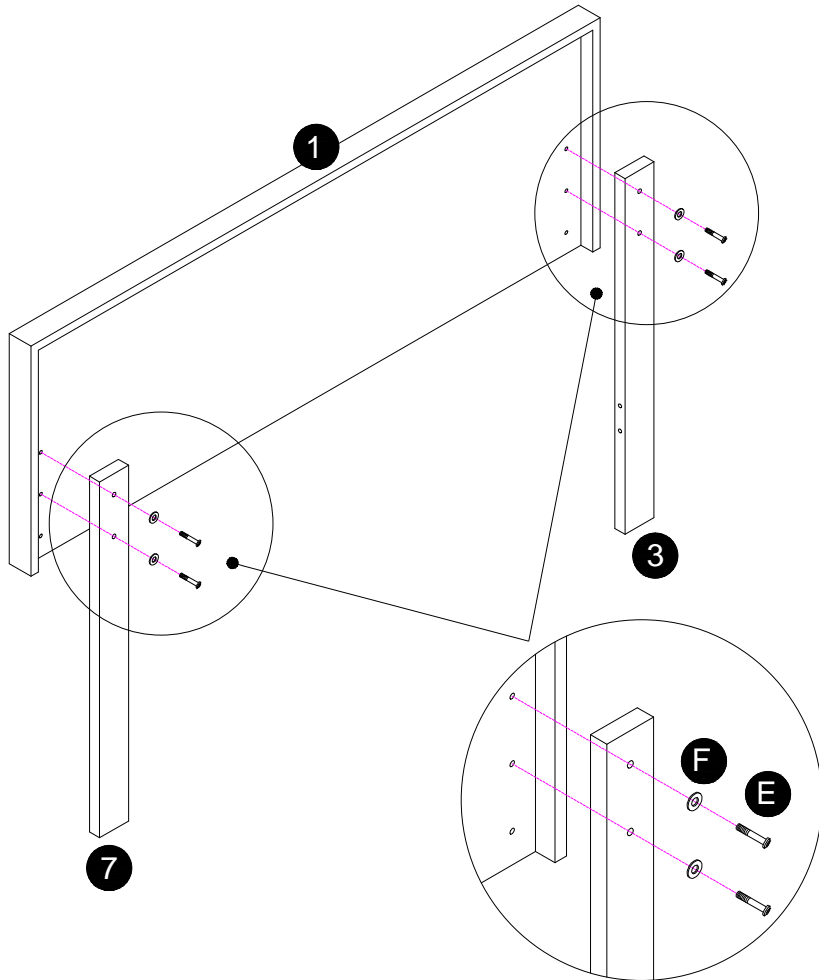
Step:1



E 4PCS



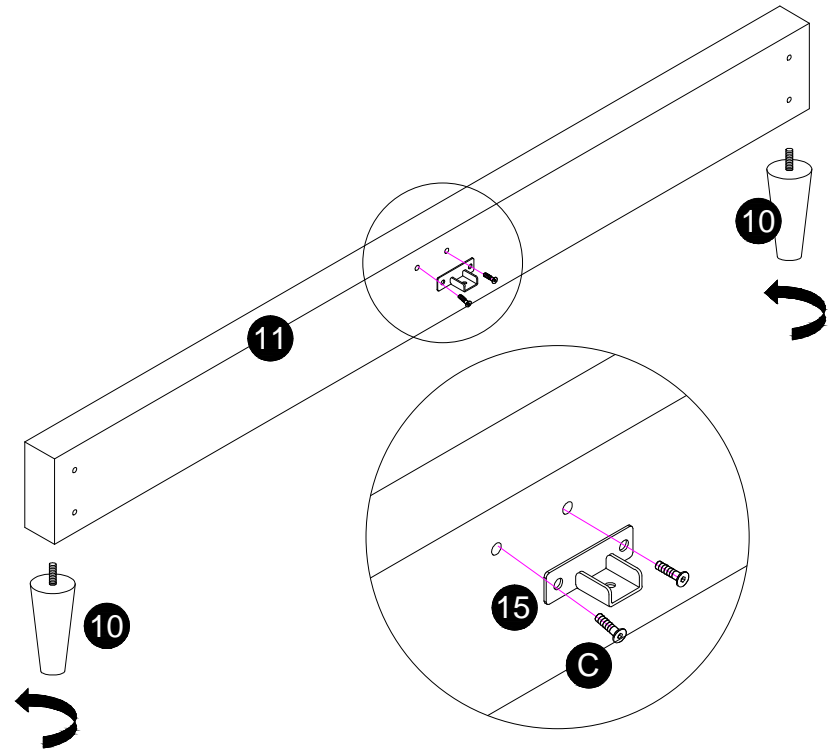
F 4PCS



Step:2

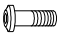


C 2PCS

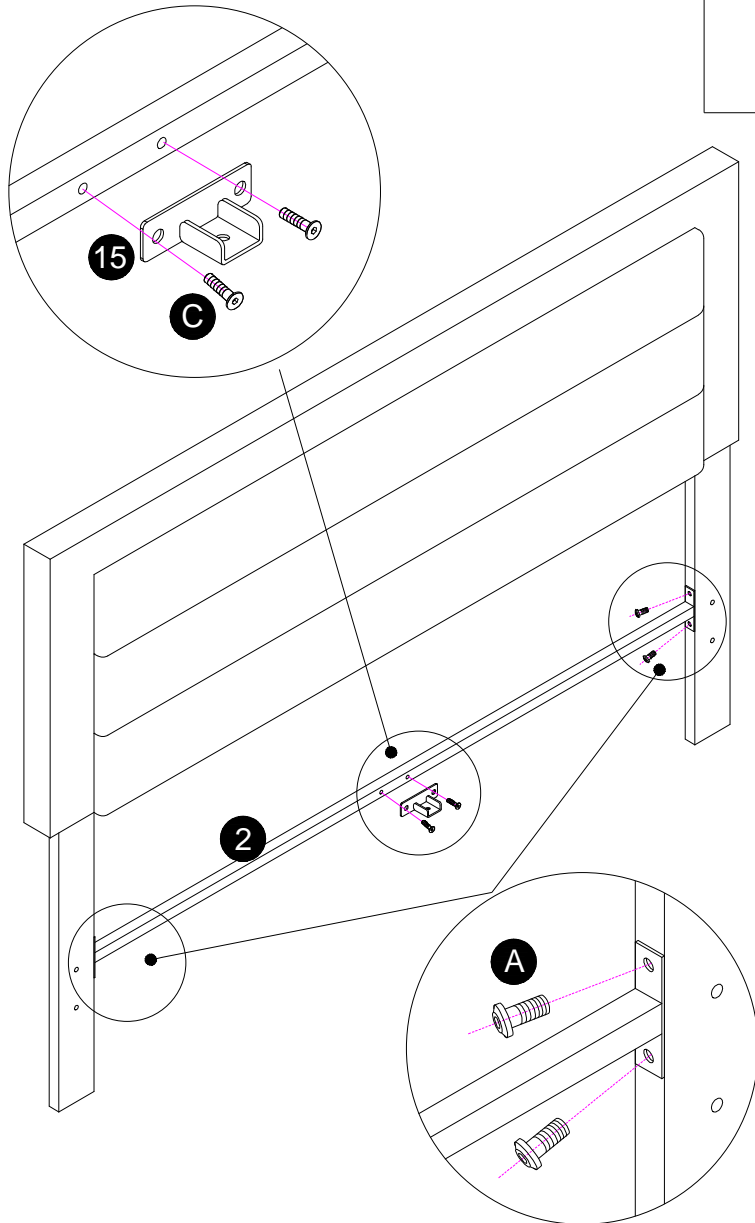


Assembly Instruction

Step:3


M6*15
A 4PCS

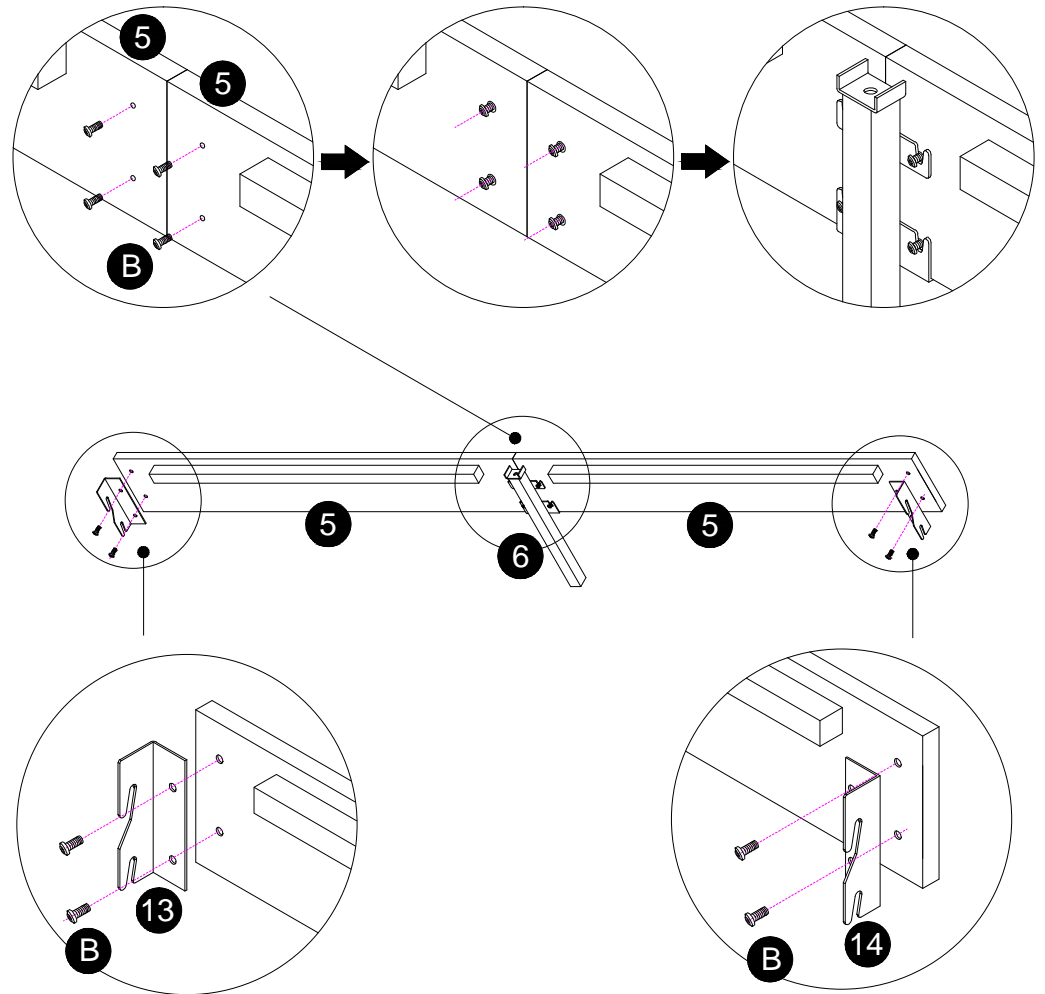

M8*20
C 2PCS



Step:4


M8*15
B 16PCS

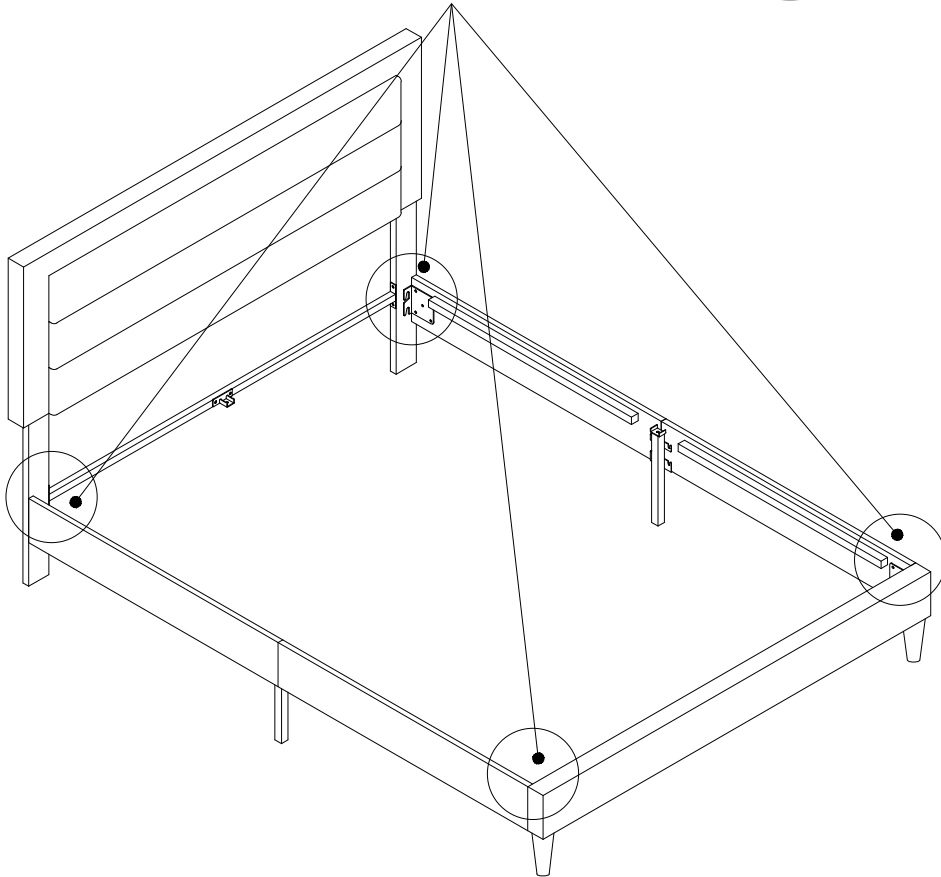
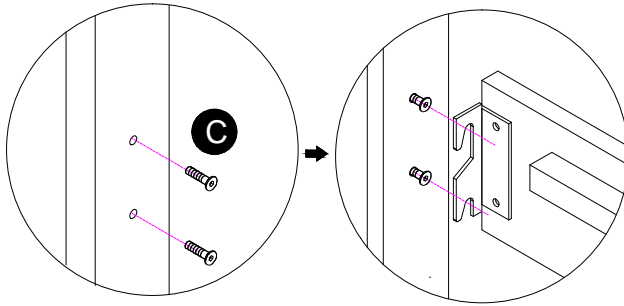
Four bed sides (**5**)
need to be installed, 2 sets in total



Assembly Instruction

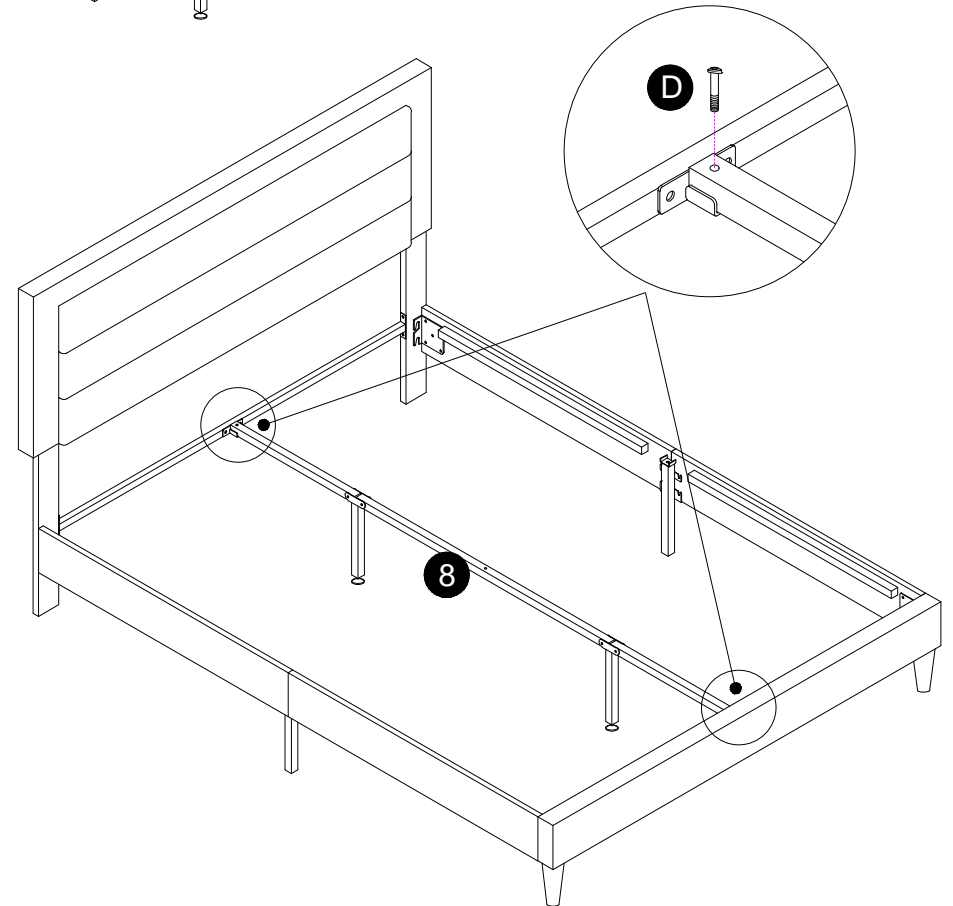
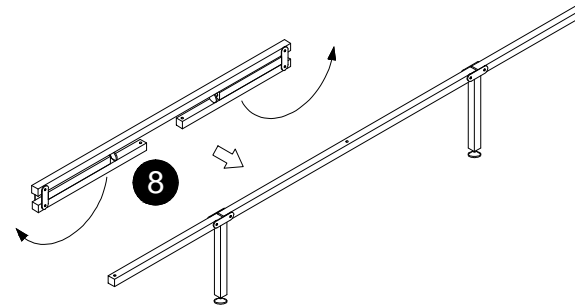
Step:5

M8*20
C 8PCS



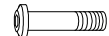
Step:6

M8*35
D 2PCS



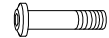
Assembly Instruction

Step:7



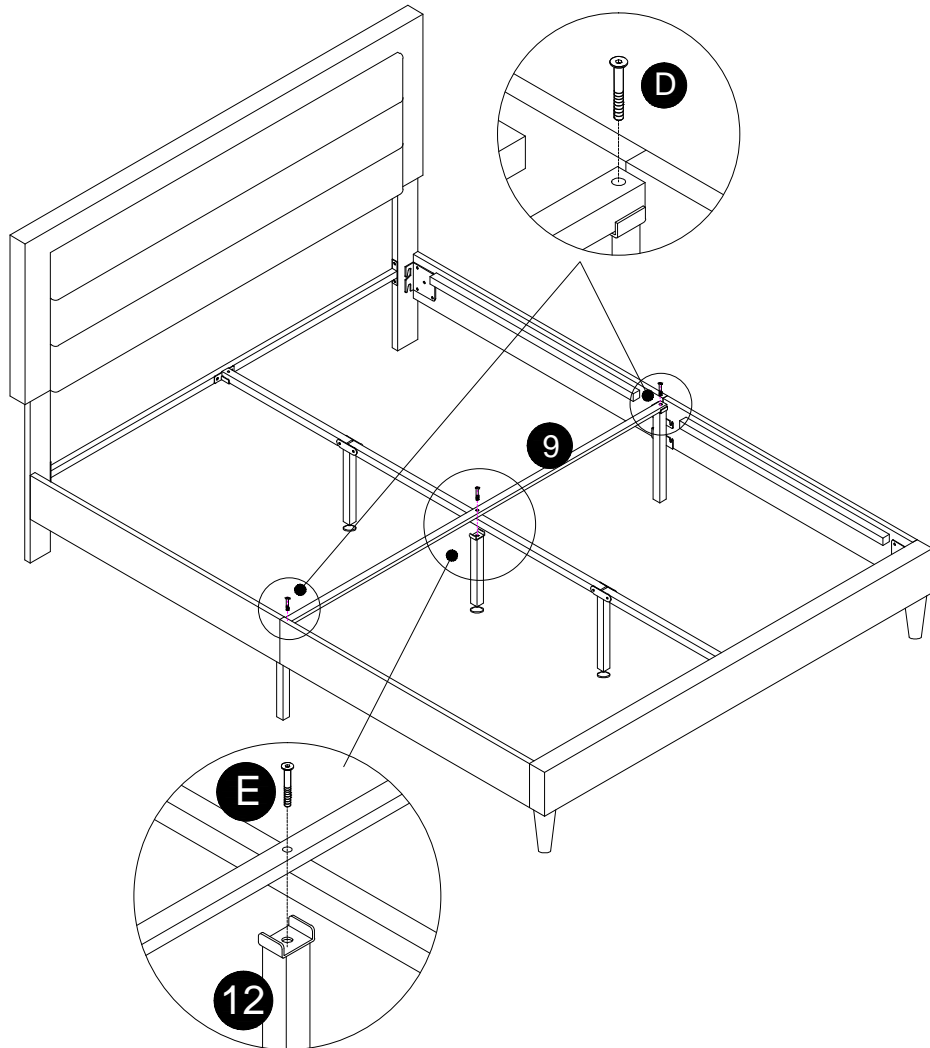
M8*35

D 2PCS



M8*45

E 1PC



Step:8

